

# SRT06XU ELECTROTHERMAL ACTUATOR

## DESCRIPTION

SRT06XU electro-thermal actuator is designed to control the open/close of hot water pipe in the heating system so as to control indoor temperature. Mount the actuator on the valve for hot water; it can control the open/close of the valve through the electrothermal sensor inside the actuator. When the power is off, the valve is normally close. When the power is on, the actuator stem moves up side, and the valve spring opens the valve, the chilled-water or hot water enter into the fan coil or heat exchanger to supply cold or warm air to rooms; when the room temperature reaches the set value, the thermostat in the AC system will provide an closed signal to the actuator, and the actuator spring will make the valve close and stop the water flow entering the fan coil or heat exchanger. Through the open or close of the valve, room temperature will be always kept in the set range.

The electrothermal actuator can be connected with the valve body quickly by using press-button. It is flexible, convenient, reliable performance, durable and energy saving.



## MODEL DESCRIPTION:

<b>S</b> <b>R</b>	<b>T</b>	<b>0</b> <b>6</b> <b>1</b>	<b>V</b> <b>1</b>	<b>A</b>	<b>U</b>
<b>Series Code</b>	<b>Product Code</b>	<b>Type Code</b>	<b>Voltage</b>	<b>Connector Code</b>	<b>Working Direction</b>
	T-Electro-thermal Controller	061-Electrothermal (Standard Type) 062-Electrothermal (Fast Type)	V1-AC24V±10% 50Hz, 60Hz V2-AC110V±10% 50Hz, 60Hz V3-AC220V±10% 50Hz, 60Hz V4-AC230V±10% 50Hz, 60Hz	A—Match for SRV061SU & SRV051 series valve bodies	Upward

## TECHNICAL DATA AND SPECIFICATIONS

<b>HOUSING</b>	<b>MATERIAL</b>	PA6110
	<b>COLOR</b>	White
<b>WORKING FORCE INTENSITY (F) &amp; DIRECTION</b>		80N ≤ F < 130N Direction: UPWARD
<b>CONTROL ELEMENT (T)</b>		Electro-thermal wax sensor
<b>CONNECTOR</b>		M30X1.5
<b>AMBIENT TEMPERATURE</b>		-0.5~60℃
<b>FIRST FULLY OPEN</b>	<b>SRT061 (Standard Type)</b>	5~6.5 minutes (at 25℃)
	<b>STR062 (Fast Type)</b>	2.5~4 minutes (at 25℃)
<b>FULL STROKE</b>		≥4.5mm
<b>PROTECTION CLASS</b>		IP40
<b>POWER CONSUMPTION</b>		1.1VA
<b>MAX. IMPACT CURRENT</b>	<b>24V</b>	1.2A
	<b>110V</b>	0.9A
	<b>220V/230V</b>	0.7A
<b>LEAD WIRE</b>		1m length (2-core)
<b>NET WEIGHT</b>		110g

## DIMENSIONS (mm)

## WITH SRV061SU OR SRV051 VALVE

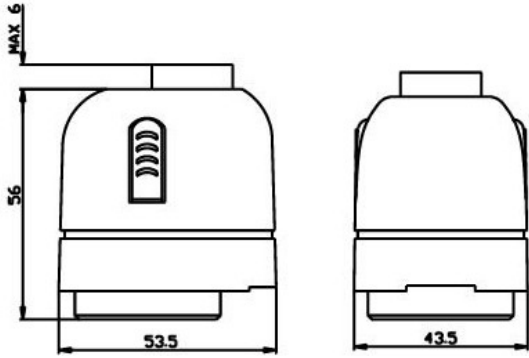


Fig.1 Dimension

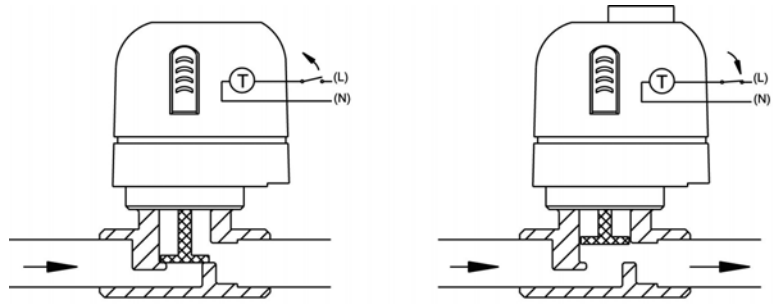
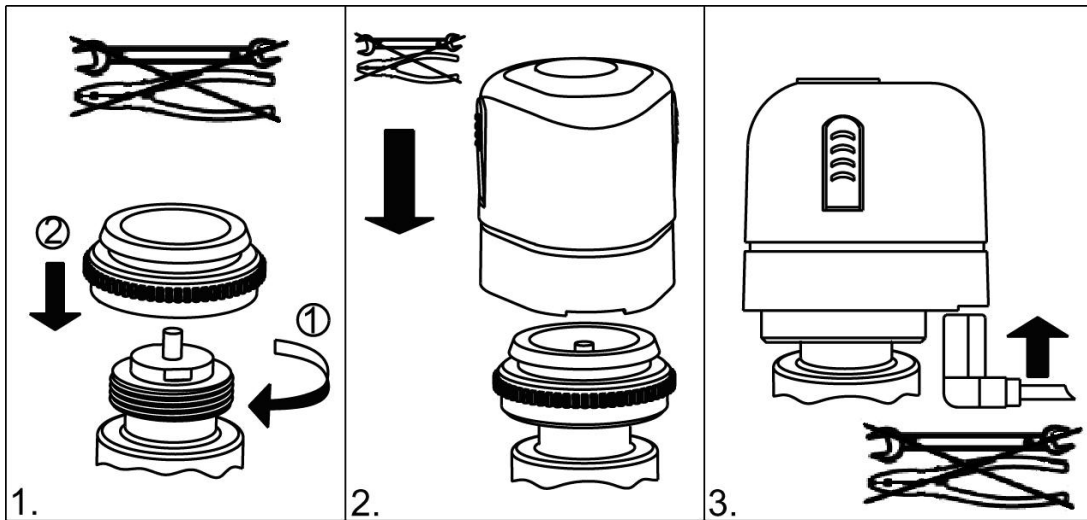


Fig.2

“MAX 6” means the max stroke of the actuator is 6mm.

## ASSEMBLY



## DISASSEMBLY

